

20 LITER STORAGE TANK

Congratulations on your purchase of one of the world's finest water distiller storage tanks. The people at DURASTILL were pioneers in the development of fan-cooled water distilling systems. They have manufactured thousands of distillers since 1970 and are proud of the quality of their products.

The 20 LITER STORAGE TANK is designed to be used in conjunction with DURASTILL distillers. Its features are stainless steel construction, full level float control (deactivates the water distiller when full), water level sight glass on faucet, and swivel casters for easy maneuverability. With proper usage, there is no reason why this sturdy unit could not be operated indefinitely.

CAUTION

Plug distiller/ storage tank combination into a properly grounded 120 volt A.C. current limited outlet only. Failure to do this may cause a fire or personal injury. Never repair or adjust distiller while it is plugged into the outlet.

20 LITER PARTS LIST

| PART # | QTY | DESCRIPTION |
|--------|-----|---|
| 100051 | 1 | Drain tube and compression fitting |
| 100052 | 1 | 4" Filler tube |
| 100053 | 1 | Filler tube gasket |
| 120004 | 6 | Side trim (12 1/4") |
| 120005 | 2 | Front and back trim (19 7/8") |
| 400530 | 1 | Faucet, 6" sight gauge, washer(300163);nut,black poly(300113) |
| 200227 | 4 | Flat black casters |
| 300105 | 4 | 5/16-18 Hex nuts |
| 300108 | 8 | Plated acorn nuts |
| 300152 | 8 | Plated washers 5/16" ID x 3/4" OD |
| 300176 | 8 | Stainless steel washers 5/16" ID x 5/8" OD |
| 400041 | 1 | Float control box (FS-1 attached) |
| 400043 | 1 | Storage tank lid |
| 400339 | 2 | Leg Assembly (right) |
| 400341 | 1 | 20 Liter storage tank |
| 400342 | 2 | Leg Assembly (left) |

REMOVAL AND INSTALLATION OF STORAGE TANK LOCKING LID

To remove the locking lid from the storage tank, unscrew knob on lid two to three turns and slide lid over until locking bar clears hole. Lid should now lift out.

To replace storage tank locking lid, loosen locking bar by unscrewing lid knob. Slide locking bar under rim of storage tank opening. Center the lid over opening. Lift up on the knob while screwing lid tight.

INSTRUCTIONS FOR THE ASSEMBLY OF THE 20 LITER TANK AND STAND

1. Unpack storage tank and stand parts. Remove all packaging material. Be careful not to disturb the position of the spring clip on the float stem when removing the packing material around the float box on the storage tank.
2. Check the parts shipped against those listed.
3. Select two pieces of side trim and place them on the storage tank left side bolts so the trim covers the top and bottom edges of the storage tank as shown in Figure 1.
4. Place left and right leg assemblies on the storage tank bolts so the legs cover the front and back edges of the storage tank and corners of the side trim.
5. Place a stainless steel washer and an acorn nut on each of the side bolts. **IMPORTANT: DO NOT TIGHTEN CONNECTIONS UNTIL UNIT IS ASSEMBLED.**
6. Repeat steps 3 through 5 on the right side of the storage tank.
7. Place one plated washer on each threaded stem of the casters and insert the threaded stem through the bottom slot of the legs.
8. Place the front and back trim on the stems of the casters inside the legs.
9. Take the remaining two pieces of side trim and place them over the caster stems on top of the front and back trim.
10. Place a plated washer and a hex nut on each of the caster stems. Tighten all connections.
11. Select the faucet, washer, and poly nut. Place the washer on threads of the faucet and insert faucet threads through the hole near the bottom front of the storage tank as shown in Figure 1.
12. Attach the poly nut on faucet threads inside the storage tank and tighten. **DO NOT** use the sight glass as a lever to tighten the faucet. Pressure on this part of the faucet may break the faucet housing and void its warranty. Be sure that the sight glass is vertical.
13. Place filler tube gasket on filler tube then place filler tube in hole at the left top corner of the storage tank.
14. Clean storage tank, check for leaks and rinse. Cover with lid.

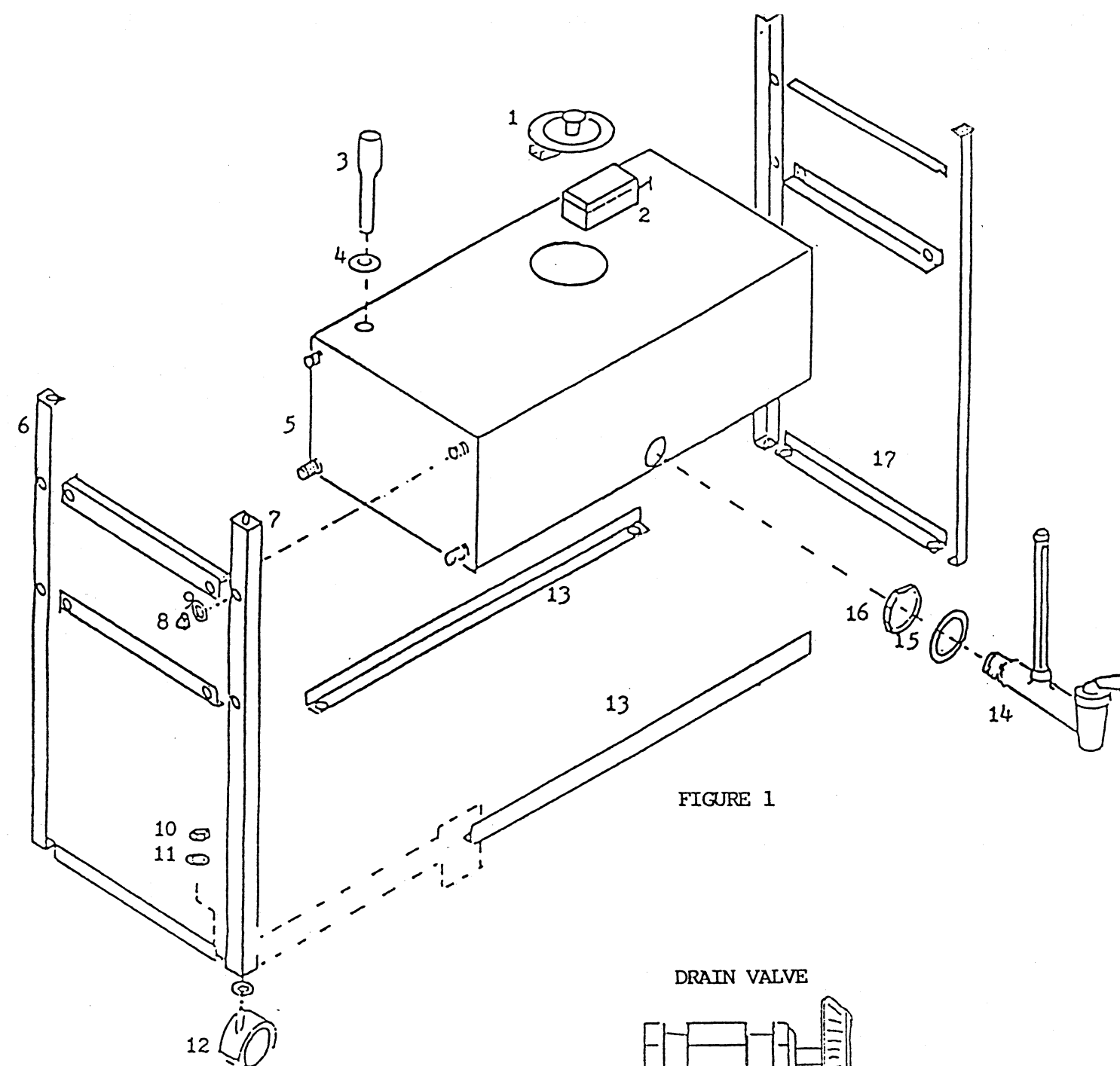


FIGURE 1

TO MOUNT DISTILLER ON STORAGE TANK STAND

1. Disconnect distiller from electrical and water sources.
2. Drain distiller of any water.
3. Remove plastic legs from the distiller.
4. Place distiller on storage tank stand. Be sure that the distilled water outlet fits into the filler tube on storage tank.
5. Loosen and remove drain nut, insert drain tube and compression fitting and replace nut as shown in figure 2.
6. Reconnect water supply to distiller.
7. Plug distiller into receptacle on float control box (FS-1) of storage tank and plug storage tank plug into a properly grounded 120 Volt A.C. 60 Hz current limited power source (15 amp breaker or fuse; NEMA 5-15R receptacle).

These distillers and storage tanks are intended for use on a municipal or well water supply. **DO NOT ATTEMPT TO PURIFY WATER HEAVILY POLLUTED WITH INDUSTRIAL WASTES OR TOXIC CHEMICALS.**

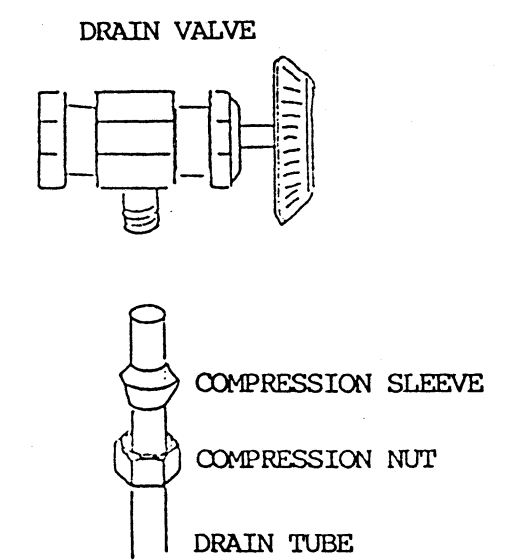


FIGURE 2

1. LID
2. FLOAT CONTROL BOX
3. FILLER TUBE
4. GASKET
5. STORAGE TANK
6. LEFT LEG
7. RIGHT LEG
8. ACORN NUT
9. STAINLESS STEEL WASHER
10. HEX NUT
11. PLATED WASHER
12. CASTER
13. FRONT & BACK TRIM
14. FAUCET
15. WASHER
16. POLY NUT
17. SIDE TRIM